

# Product data sheet

Specifications



## Speed monitoring 2 Sin/Cos encoder expansion module with spring term

XPSMCMEN0200SCG

**Product availability: Non-Stock - Not normally stocked in distribution facility**

**Price\*: 1,720.50 USD**

### Main

Range Of Product	Preventa Safety automation
Product Or Component Type	Safe speed monitoring module
Device Short Name	XPSMCM
Electrical Connection	Spring terminal
[Us] Rated Supply Voltage	24 V - 20...20 % DC
Discrete Input Voltage	24 V DC
Function Of Module	Speed monitoring

### Complementary

Power Consumption In W	3 W
Power Dissipation In W	3 W
Integrated Connection Type	Backplane expansion bus
Safety Level	Can reach category 4 ISO 13849-1 Can reach PL = e ISO 13849-1 Type 4 IEC 61496-1 SILCL 3 IEC 62061
Quality Labels	CE
Number Of Terminal Blocks	4
Local Signalling	1 LED green PWR power ON 1 LED green RUN RUN (status) 1 LED red E IN internal error 1 LED red E EX external error 2 LEDs orange ADDR node address 2 LEDs yellow PROX proximity sensors connection status 2 LEDs yellow SH speed monitoring status 2 LEDs yellow ENC encoder connection status
Connections - Terminals	1 spring clamp terminals, removable terminal block 2 spring clamp terminals, removable terminal block
Maximum Input Frequency	5 kHz sensor 500 kHz encoder SinCos
Sensor Type	Inductive proximity sensor
Electrical Connection	1 connector RJ45 EIA/TIA-568-A

Price is "List Price" and may be subject to a trade discount – check with your local distributor or retailer for actual price.

<b>Cable Cross Section</b>	0.00...0.00 in <sup>2</sup> (0.2...2.5 mm <sup>2</sup> ) - AWG 24...AWG 14 flexible without cable end 0.00...0.00 in <sup>2</sup> (0.2...2.5 mm <sup>2</sup> ) - AWG 24...AWG 14 solid without cable end 0.00...0.00 in <sup>2</sup> (0.25...2.5 mm <sup>2</sup> ) - AWG 23...AWG 14 flexible with cable end, with bezel 0.00...0.00 in <sup>2</sup> (0.25...2.5 mm <sup>2</sup> ) - AWG 23...AWG 14 flexible with cable end, without bezel 0.00...0.00 in <sup>2</sup> (0.5...1 mm <sup>2</sup> ) - AWG 20...AWG 18 flexible with cable end, with double bezel
<b>Mounting Support</b>	Omega 35 mm DIN rail EN 50022
<b>Depth</b>	0.89 in (22.5 mm)
<b>Height</b>	3.90 in (99 mm)
<b>Width</b>	4.51 in (114.5 mm)
<b>Net Weight</b>	0.66 lb(US) (0.3 kg)

## Environment

<b>Standards</b>	IEC 61496-1 IEC 62061 ISO 13849-1 IEC 61800-5-1 IEC 61508
<b>Product Certifications</b>	RCM cULus TÜV
<b>Ip Degree Of Protection</b>	IP20 enclosure)
<b>Ambient Air Temperature For Operation</b>	14...131 °F (-10...55 °C)
<b>Ambient Air Temperature For Storage</b>	-4...185 °F (-20...85 °C)
<b>Relative Humidity</b>	10...95 %
<b>Pollution Degree</b>	2
<b>[Uimp] Rated Impulse Withstand Voltage</b>	4 kV IEC 61800-5
<b>Insulation</b>	250 V AC between power supply and housing IEC 61800-5-1
<b>Overvoltage Category</b>	II
<b>Electromagnetic Compatibility</b>	Electrostatic discharge immunity test - test level: 6 kV (on contact) conforming to IEC 61000-4-2 Electrostatic discharge immunity test - test level: 20 kV (on air) conforming to IEC 61000-4-2 Susceptibility to electromagnetic fields - test level: 10 V/m (80...1000 MHz) conforming to IEC 61000-4-3 Susceptibility to electromagnetic fields - test level: 30 V/m (1.4 GHz...2 GHz) conforming to IEC 61000-4-3
<b>Vibration Resistance</b>	+/-0.35 mm 10...55 Hz)IEC 61496-1
<b>Shock Resistance</b>	10 gn 16 ms) 1000 shocks on each axis IEC 61496-1
<b>Service Life</b>	20 year(s)

## Ordering and shipping details

<b>Category</b>	US1SAF222477
<b>Discount Schedule</b>	SAF2
<b>Gtin</b>	3606480748752
<b>Returnability</b>	No
<b>Country Of Origin</b>	IT

## Packing Units

<b>Unit Type Of Package 1</b>	PCE
<b>Number Of Units In Package 1</b>	1
<b>Package 1 Height</b>	1.77 in (4.5 cm)
<b>Package 1 Width</b>	5.04 in (12.8 cm)
<b>Package 1 Length</b>	6.38 in (16.2 cm)
<b>Package 1 Weight</b>	8.82 oz (250.0 g)
<b>Unit Type Of Package 2</b>	S01
<b>Number Of Units In Package 2</b>	6
<b>Package 2 Height</b>	5.91 in (15.0 cm)
<b>Package 2 Width</b>	5.91 in (15.0 cm)
<b>Package 2 Length</b>	15.75 in (40.0 cm)
<b>Package 2 Weight</b>	3.84 lb(US) (1.741 kg)

## Sustainability

**Green Premium™ label** is Schneider Electric's commitment to delivering products with best-in-class environmental performance. Green Premium promises compliance with the latest regulations, transparency on environmental impacts, as well as circular and low-CO<sub>2</sub> products.

**Guide to assessing product sustainability** is a white paper that clarifies global eco-label standards and how to interpret environmental declarations.

[Learn more about Green Premium >](#)

[Guide to assess a product's sustainability >](#)



Transparency RoHS/REACH

## Well-being performance

✓ Reach Free Of Svhc

✓ Mercury Free

✓ Rohs Exemption Information [Yes](#)

✓ Pvc Free

## Certifications & Standards

**Reach Regulation**

[REACH Declaration](#)

**Eu Rohs Directive**

Pro-active compliance (Product out of EU RoHS legal scope)

**China Rohs Regulation**

[China RoHS declaration](#)

**Environmental Disclosure**

[Product Environmental Profile](#)

**Weee**

The product must be disposed on European Union markets following specific waste collection and never end up in rubbish bins.

**Circularity Profile**

[End of Life Information](#)

**California Proposition 65**

WARNING: This product can expose you to chemicals including: Lead and lead compounds, which is known to the State of California to cause cancer and birth defects or other reproductive harm. For more information go to [www.P65Warnings.ca.gov](http://www.P65Warnings.ca.gov)

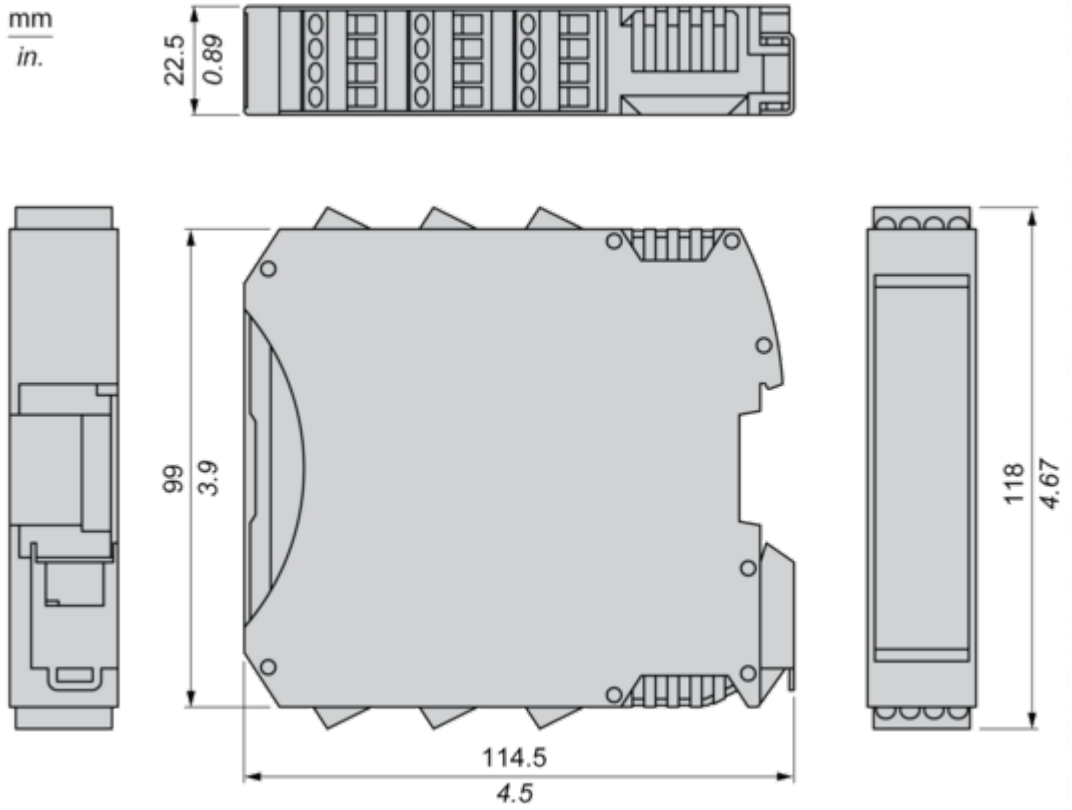
# Product data sheet XPSMCMEN0200SCG

Dimensions Drawings

## Dimensions

---

### Spring Terminal

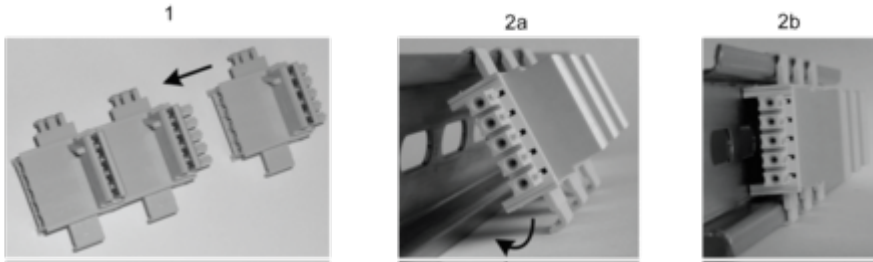


Mounting and Clearance

**Mounting Safety Controller CPU with Module(s)**

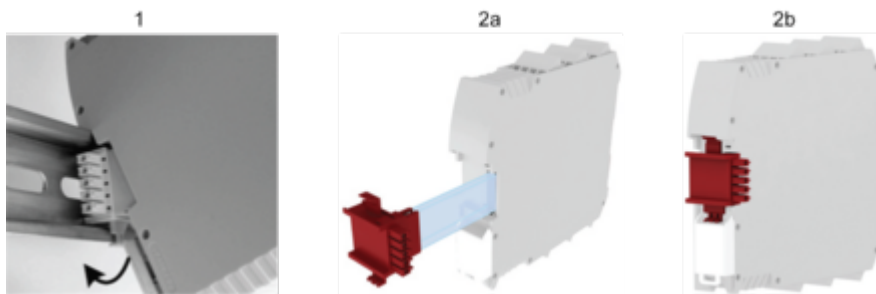
---

**Mount BackPlane Connector on Rail**



- 1 : Connect as much Backplane Connector as module to be install.
- 2 : Fix the connectors to the rail (Top first).

**Mount Safety Controller CPU with Other Module(s)**

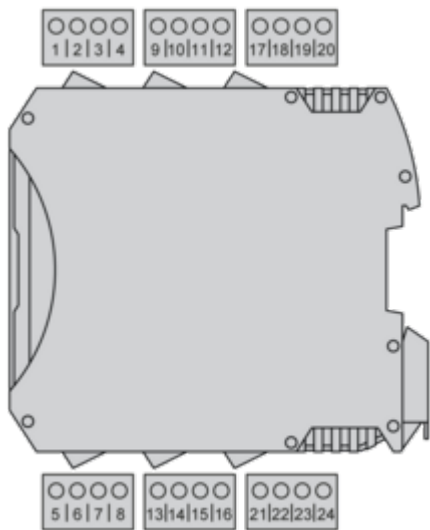


- 1 : Mount controller CPU and modules on rail.
- 2 : Make sure that the controller CPU or the module(s) are plugged on the BackPlane connector.

Connections and Schema

Wiring

Terminal Designation



Terminal	Signal	Description
1	24 VDC	24 VDC power supply
2	NODE_ADDR0	Node selection
3	NODE_ADDR1	
4	0 VDC	0 Vdc power supply
5	PROXY1_24V	PROXIMITY 1 connections
6	PROXY1_REF	
7	PROXY1_NO	
8	PROXY1_NC	
9	PROXY2_24V	PROXIMITY 2 connections
10	PROXY2_REF	
11	PROXY2_NO	
12	PROXY2_NC	
13	not connected	not connected
14		
15		
16		

